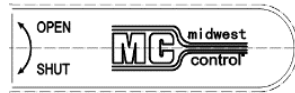
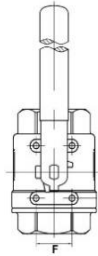
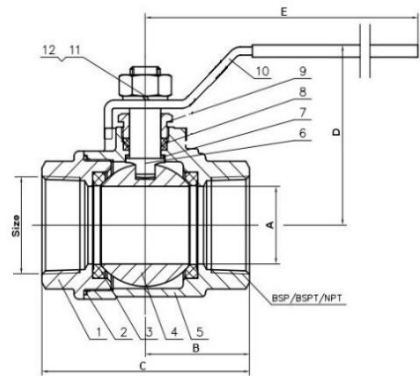


**2-Piece 316 Stainless Steel Full Port Ball Valves**



1000 PSI CWP 150 WSP Service  
Suitable for Vacuum Service Up to 29.9"Hg  
Full Port  
Temperature Range: -20°F to 425°F  
2-Piece 316 Stainless Steel Construction  
Includes Mounting Pad (10-24 UNC Thread)  
Blow Out Proof Stem  
316 Stainless Steel Ball and Stem  
PTFE Seats and Packing  
304 Stainless Steel Lever Handle w/ Vinyl Grip  
FPT Connection  
ISO Registered Factory  
MSS SP-110 Approved  
RoHS Compliant

Part No.	Size	A (In)	B (In)	C (In)	D (In)	E (In)	F (In)	Cv	Wt. (lbs.)	Carton Qty
SSR-25	1/4"	0.41	1.08	2.15	1.89	3.94	1.12	8.23	0.50	80
SSR-38	3/8"	0.49	1.08	2.15	1.89	3.94	1.12	8.23	0.47	80
SSR-50	1/2"	0.59	1.25	2.50	2.28	4.33	1.14	18.55	0.74	48
SSR-75	3/4"	0.79	1.47	2.94	2.46	4.72	1.38	29.76	1.17	30
SSR-100	1"	0.98	1.74	3.47	2.90	5.81	1.38	51.55	1.66	20

Weights Are ± 3%

Part No.	Description	Material
1	Bonnet	S.S.316
2	Joint Gasket	PTFE
3	Seat	PTFE
4	Ball	S.S.316
5	Body	S.S.316
6	Stem	S.S.316
7	Thrust Washer	PTFE
8	Packing	PTFE
9	Gland	S.S.304
10	Handle	S.S.304 with PVC Grip
11	Spring Washer	S.S.304
12	Nut	A2-70



WARNING: This product can expose you to chemicals, including Hexavalent Chromium, which is known to the State of California to cause cancer and reproductive harm. For more information go to [www.P65Warnings.CA.gov](http://www.P65Warnings.CA.gov)

Drawing Date: 5/2009  
Rev. Level-Date: R4 8/2020